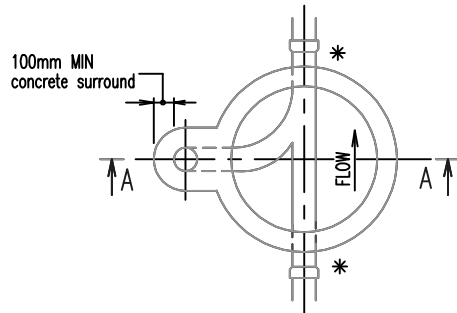
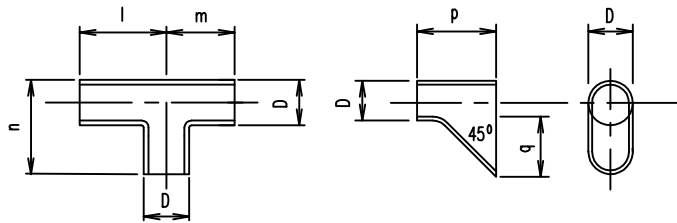


SECTION A - A



PLAN
EXTERNAL VERTICAL DROP

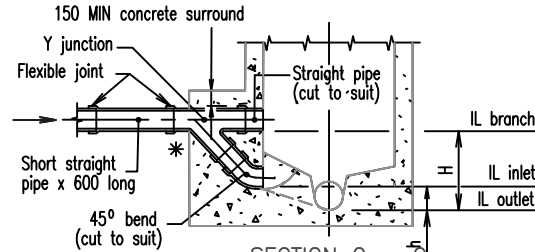
Only to be used where approved or ordered by Service Authority



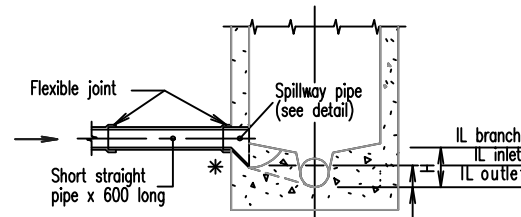
DROP JUNCTION PIPE

SPILLWAY PIPE

SPECIAL PIPES

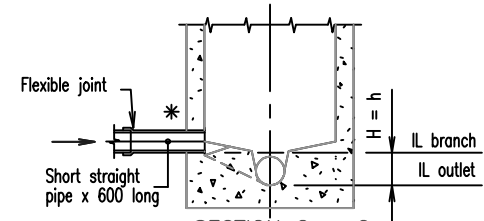


SECTION C - C
SHORT SLOPE DROP

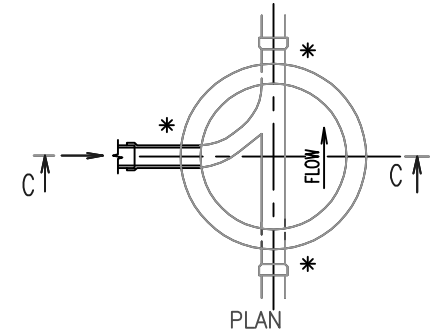


SECTION C - C
SPILLWAY DROP

* Refer DETAIL 'A'
WRC STD DWG W-0020



SECTION C - C
BENCHING ONLY



PLAN

PIPE DIA D	MAXIMUM DROPS			
	CHAMBER DROP 'H'			
	Normal Benching	Spillway Drop	Short Slope Drop	Vertical Drop
100	Under 250	250 to 350	350 to 600	over 600
150	Under 250	250 to 400	400 to 700	over 700
225	Under 300	300 to 500	500 to 800	over 800
300	Under 350	350 to 650	650 to 1000	over 1000

PIPE DIA D	SPECIAL PIPES				
	Drop Junction		Spillway		
	l	m	n	p	q
100	380	225	300	150	100
150	380	225	300	225	150
225	420	350	425	325	225
300	450	450	525	425	300

MINIMUM DROPS		
Angle Through Chamber	Minimum Drop 'h'	
	Branch Sewer	0° to 30°
30° to 60°		50
60° to 90°		75
Main Sewer	0° to 45°	25
	45° to 90°	40

NOTES:

1. Unless otherwise approved for particular types of sewer pipe used or particular site conditions, short pipes (600mm MAX) to be flexibly jointed to all sections bedded on or surrounded with concrete.
2. All benching to be 1 in 5 MIN.
3. 100mm external uPVC drop to be provided where house drain connection is well above chamber invert.
4. Refer WRC STD DWG S-0020 for 1050 NOM. access chamber insitu construction details.
5. Vertical and short slope drops to be formed using special pipes and standard fittings with couplings & sealing rings.
6. All dimensions in millimetres.

REVISIONS	DATE
D DEVELOPMENT MANUAL UPDATES AND AMENDMENTS 2018	26/10/18
C GENERAL UPDATES AND STANDARD REFERENCING AMENDMENTS	6/5/16
B MINOR AMENDMENTS	10/3/98
A ORIGINAL ISSUE	1/3/97



Whitsunday
Regional Council

Email: info@whitsundayrc.qld.gov.au Web: www.whitsundayrc.qld.gov.au

BOWEN
67 Herbert St
Bowen 4805 Q
Ph 07 4761 3600

COLLINSVILLE
Cnr Stanley & Conway Sts
Collinsville 4804 Q
Ph 07 4785 5366

PROSERPINE
83-85 Main St
Proserpine 4800 Q
Ph 07 4945 0200

ACCESS CHAMBER DROPS
INSITU CONSTRUCTION

SEWERAGE
Standard
Drawing
S-0023

A | B | C | D