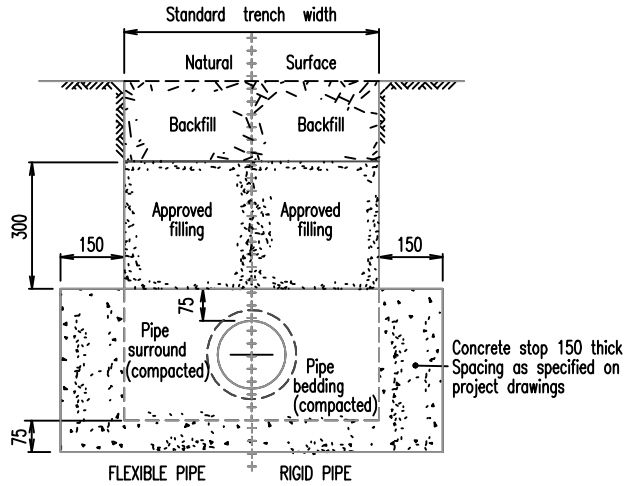
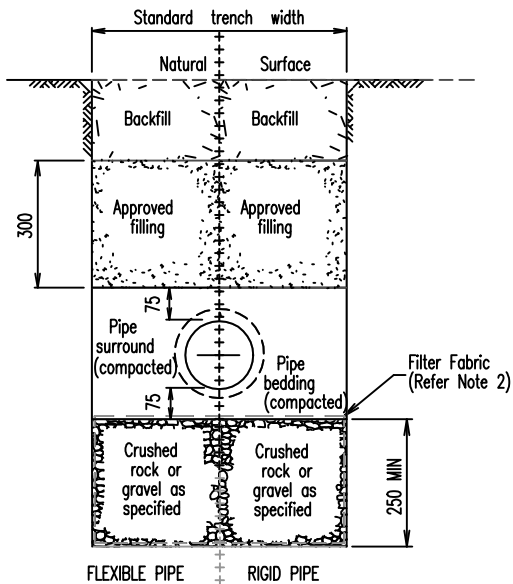


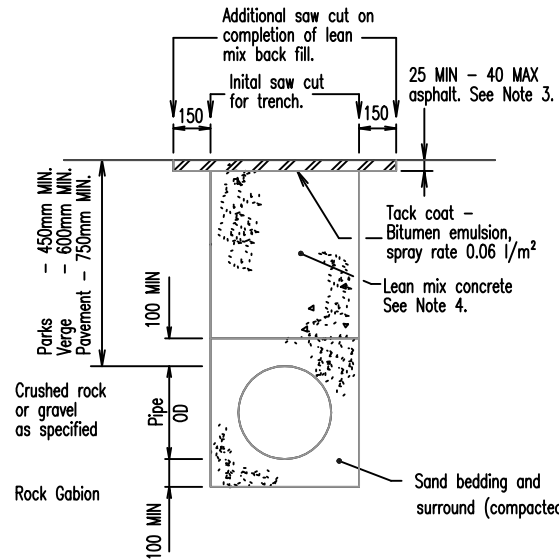
TYPICAL BEDDING



TRENCH STOP/BULKHEAD



TYPICAL BEDDING IN POOR GROUND



TYPICAL BEDDING UNDER EXISTING ROADS

NOTES:

- Pipe bedding classification
 - Rigid Pipes : Vitrified clay, steel, ductile iron, fibre cement and concrete.
 - Flexible Pipes : Unplasticised polyvinyl chloride, glass filament reinforced thermosetting plastics, acrylonitrile butadiene styrene and polyethylene.
- An approved geotextile fabric shall be used in all trenches around crushed rock pipe bedding.
- The road surface finish shall be asphaltic concrete or other surface specified in the project drawings or by the Superintendent.
- Backfilling under roads shall be lean mix (1:20) low slump concrete (or an approved equivalent) compacted in lifts of 125 to 150mm.
- Sand surround (compacted in 150mm layers) > 70% D.I. or 95% standard compaction in bedding and side support. Density index (D.I.) as per AS 1289.5.6.1 Standard compaction as per AS 1289.5.1.1.
- Concrete N20 in accordance with AS 1379 and AS 3600.
- All dimensions in millimetres.

DIA of Pipe	100	150	225	300	375	450	525	600	675	750	825	900
Standard trench width	600	600	675	750	825	900	1000	1075	1150	1300	1375	1450

Refer to WSA for bedding and backfill details where conditions vary from these shown hereon.

C	DEVELOPMENT MANUAL UPDATES AND AMENDMENTS 2018	26/10/18
B	GENERAL UPDATES AND STANDARD REFERENCING AMENDMENTS	6/5/16
A	ORIGINAL ISSUE	1/3/97
REVISIONS		DATE



Whitsunday
Regional Council

Email: info@whitsundayrc.qld.gov.au Web: www.whitsundayrc.qld.gov.au

BOWEN
67 Herbert St
Bowen 4805 Q
Ph 07 4761 3600

COLLINSVILLE
Cnr Stanley & Conway St
Collinsville 4804 Q
Ph 07 4785 5366

PROSERPINE
83-85 Main St
Proserpine 4800 Q
Ph 07 4945 0200

SEWER PIPELINE
CONSTRUCTION TYPES

SEWERAGE
Standard
Drawing
S-0090

A | B | C