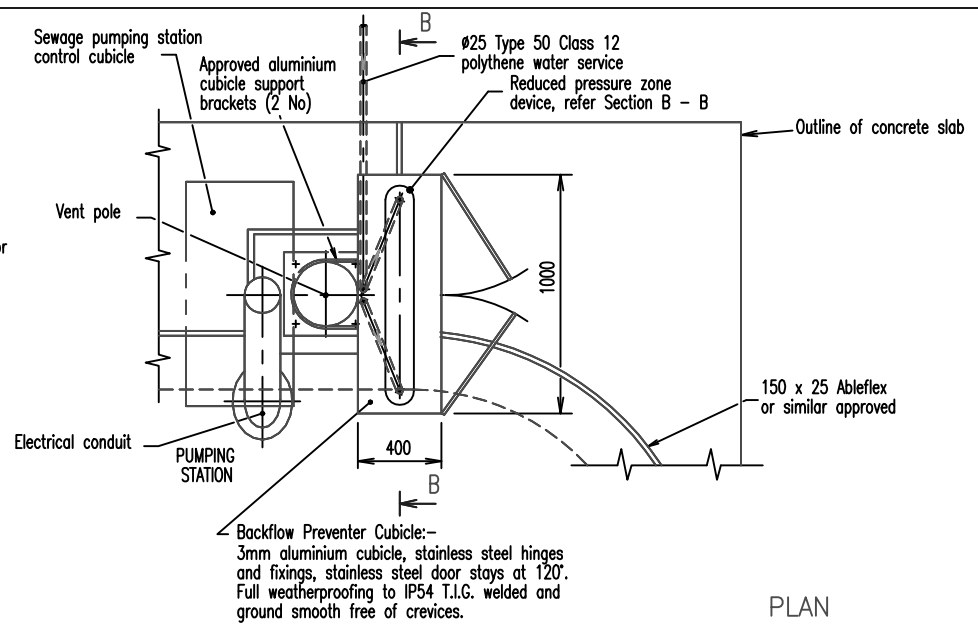


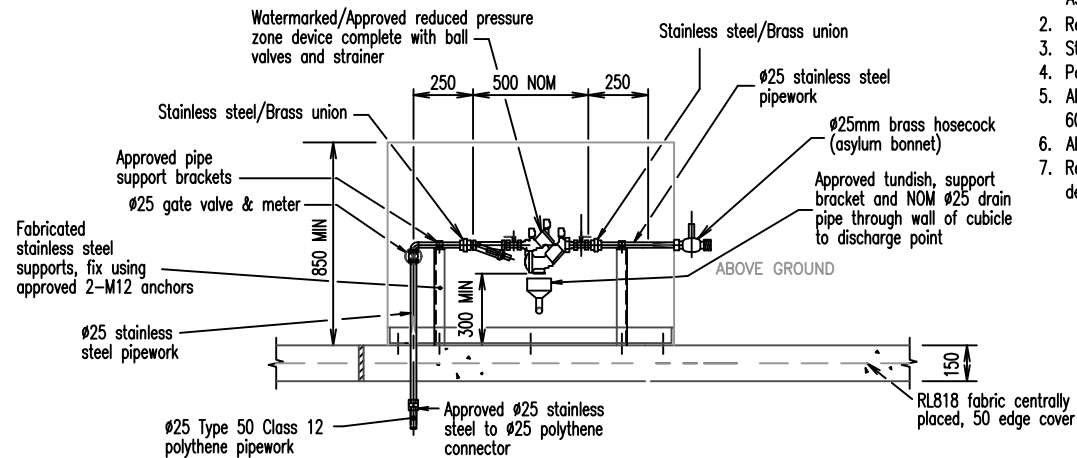
PLAN  
SLAB MOUNTED CUBICLE



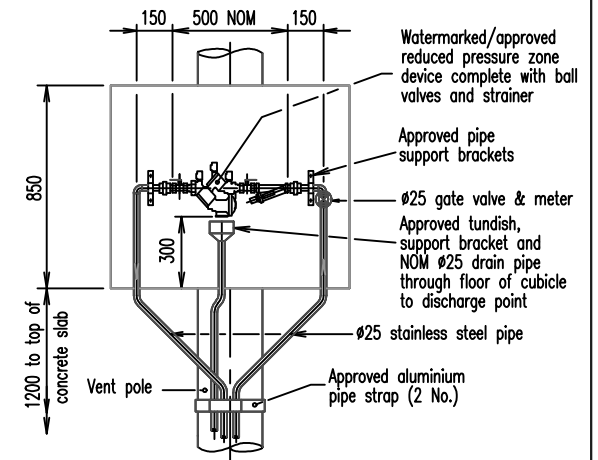
PLAN  
POLE MOUNTED CUBICLE

**NOTES:**

1. Concrete N32 in accordance with AS 1379 and AS 3600.
2. Reinforcement fabric to AS/NZS 4671.
3. Stainless steel Grade AS 1444.
4. Polythene pipework to AS 4130.
5. Aluminium Sheet 5083-H321, Extruded sections 6061-T6, to AS 2848.
6. All dimensions in millimetres.
7. Refer to AS 3500 for further requirements and details on Backflow Prevention



SECTION A - A  
ALTERNATIVE-ABOVE GROUND HOSECOCK



SECTION B - B

F	DEVELOPMENT MANUAL UPDATES AND AMENDMENTS 2018	26/10/18
E	GENERAL UPDATES AND STANDARD REFERENCING AMENDMENTS	27/4/16
D	GENERAL UPDATES	26/3/12
C	TEXT CHANGES	24/8/10
B	MINOR AMENDMENT	1/3/97
A	ORIGINAL ISSUE	1/3/97
REVISIONS		DATE



Email: [info@whitsundayrc.qld.gov.au](mailto:info@whitsundayrc.qld.gov.au) Web: [www.whitsundayrc.qld.gov.au](http://www.whitsundayrc.qld.gov.au)

BOWEN  
67 Herbert St  
Bowen 4805 Q  
Ph 07 4761 3600

COLLINSVILLE  
Cnr Stanley & Conway Sts  
Collinsville 4804 Q  
Ph 07 4785 5366

PROSERPINE  
83-85 Main St  
Proserpine 4800 Q  
Ph 07 4945 0200

BACKFLOW PREVENTION DEVICE  
SLAB AND POLE MOUNTED CUBICLE

WATER  
Standard  
Drawing  
W-0030

B C D E F