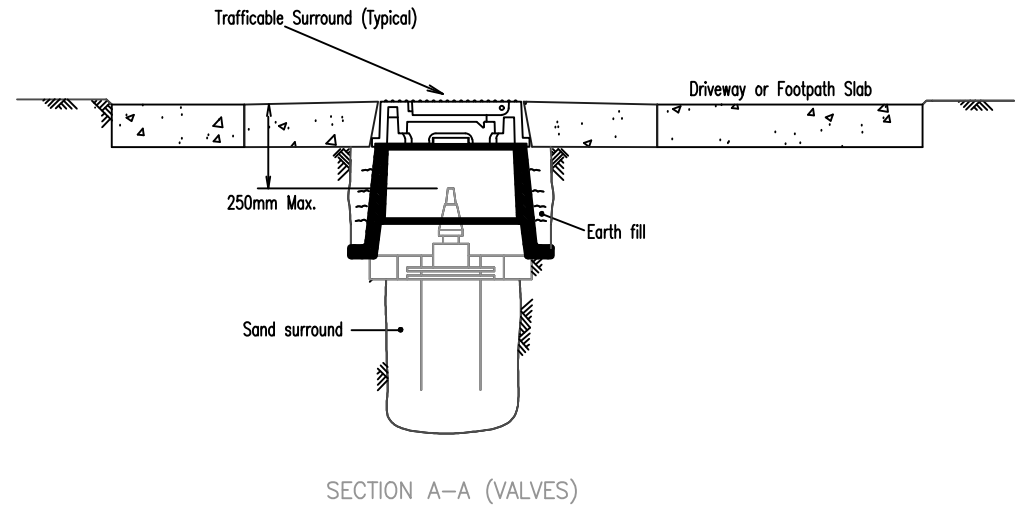
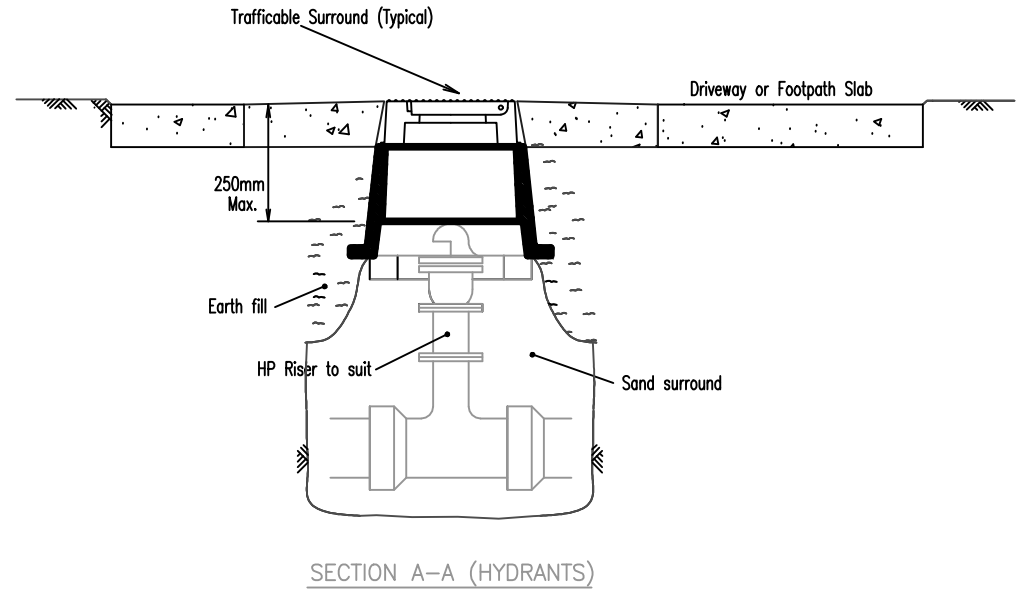


VALVES & HYDRANTS IN DRIVEWAYS & FOOTPATHS
 Repair method for concrete driveways and footpaths.

NOTES:

1. Valve boxes are to be raised or lowered to suit new driveway height.
2. Approval for all alteration works is required from Council
3. All works are to be inspected by Council.
4. SV marker to be removed from current position and relocated to a suitable position under the direction of council water officers.



E	DEVELOPMENT MANUAL UPDATES AND AMENDMENTS 2018	26/10/18
D	GENERAL UPDATES AND AMENDMENTS	26/9/18
C	GENERAL UPDATES AND STANDARD REFERENCING AMENDMENTS	27/4/16
B	GENERAL UPDATES	28/3/12
A	ORIGINAL ISSUE	05/2009
REVISIONS		DATE



Email: info@whitsundayrc.qld.gov.au Web: www.whitsundayrc.qld.gov.au

BOWEN
 67 Herbert St
 Bowen 4805 Q
 Ph 07 4761 3600

COLLINSVILLE
 Cnr Stanley & Conway Sts
 Collinsville 4804 Q
 Ph 07 4785 5366

PROSERPINE
 83-85 Main St
 Proserpine 4800 Q
 Ph 07 4945 0200

TYPICAL VALVE & HYDRANT
 TREATMENT WHEN LOCATED IN
 SEALED DRIVEWAYS & FOOTPATHS

WATER
 Standard
 Drawing
 W-0063

A | B | C | D | E